

HSB1 SHOULDER STRAPS

Converts a simple static belt into a supportive harness.

Suitable for **aircraft** seats.

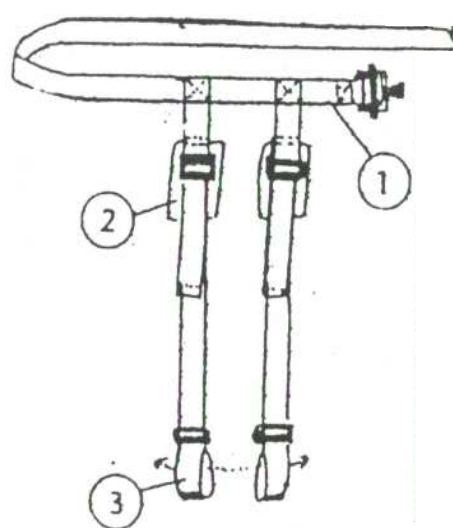
Designed to offer extra postural support to passengers travelling in high backed seats with only a **static** waistbelt.

AIRCRAFT passengers should contact the airline for permission BEFORE the flight.

The straps are adjustable to fit both children and adults.
Smaller children should also use a 'Booster Cushion'.

To release the passenger - simply undo the quick release buckle on lap belt and free the passenger.

It is not a safety harness and should be worn in conjunction with the vehicle safely belt



CAT. REF: HSB 1

One size fits child up to adult.

- (1) Fixing Strap with bar buckle - fastens around the seat back.
- (2) Adjuster buckle - to adjust the length of straps.
- (3) 'Looped Ends' - loop over the lap belt either side of the buckle.

None stock item - made to order

Crelling Harnesses For Disabled Ltd.

12 Crescent East, Thornton-Cleveleys, Lancashire, FY5 3LJ

Tel: 01253 852298 Fax: 01253 821780 Email: info@crelling.com Website: www.crelling.com