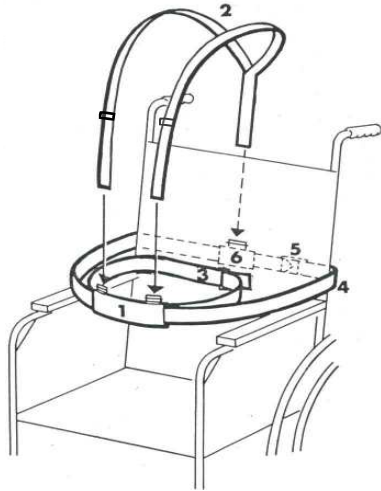


# Model 6



## Consists of:-

1. Front PVC sleeve with attachment buckles for shoulder straps.
2. Shoulder Straps
3. Waistbelt
4. Outer chair strap
5. Waistbelt buckle - side-squeeze.
6. Sleeve with shoulder strap anchor

For the more confused patient or those with learning difficulties etc.  
Inner waistbelt fastens behind the patient's back out of sight.  
Outer fixing strap passes around both the patient and chair to fasten at back of the chair.

## It is not a Safety Harness

<b><u>Adult Size</u></b>	Fitted with Side Squeeze buckle to waistbelt.	Cat. Ref: 06A
<b><u>Child Size</u></b>	Up To 8 yrs. Fitted with Side Squeeze buckle to waistbelt.	Cat. Ref: 06B

## Fitting Instructions

1. Unfasten the shoulder straps from the front PVC sleeve.
2. Fasten the waistbelt around the patient's waist as low down as possible. The PVC sleeve should be positioned at the front with the side-squeeze buckle behind the patient's back.
3. Pass the outer strap around the chair back & fasten at the rear by means of the Side-Squeeze buckle.
4. Finally bring the shoulder straps up & over the wheelchair back & down over the patients shoulders & chest to fasten to the two side-squeeze buckles at the front waistbelt PVC sleeve.
5. Adjust all straps to fit the patient tightly yet comfortably.

## Crelling Harnesses For Disabled Ltd.

12 Crescent East, Thornton-Cleveleys, Lancashire, FY5 3LJ  
Tel: 01253 852298 Fax: 01253 821780 Email: [info@crelling.com](mailto:info@crelling.com) Website: [www.crelling.com](http://www.crelling.com)